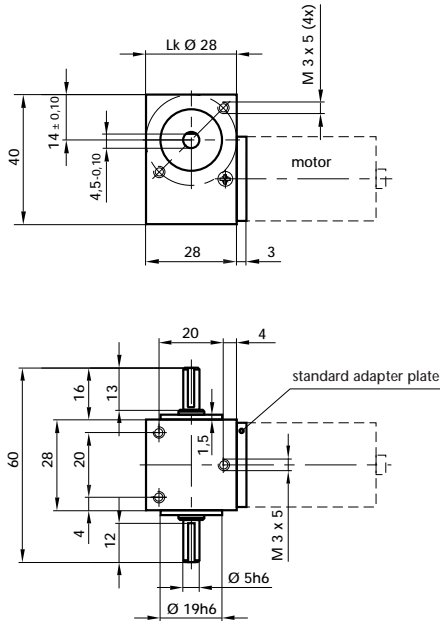


# GYSIN Worm Gearbox GSR 12

Rated torque in Nm (S1)	Type Standard
Rated torque in Nm (S5)	Type Standard
EMERGENCY STOP torque in Nm	

Rated torque in Nm (S1)	Type R Reduced
Rated torque in Nm (S5)	Type R Reduced
EMERGENCY STOP torque in Nm	



## GSR 12

1

1,5

2

1

1,5

2

Ratio (i)      Efficiency in %

5      85

7      80

10      75

15      65

20      60

25      55

30      50

40      45

50      40

60      40



### Technical and performance data:

Gear unit weight	kg
Dimension L min.	mm
Dimension L max.	mm
Dimension l	mm
Ø d standard mount	mm
Lk Ø max.	mm

Centre distance	mm
Average mass inertia at drive	kgcm <sup>2</sup>
No-load backlash Type Standard	arcmin ≤
No-load backlash Type R Reduced	arcmin ≤
Self-locking whenever step-down ratio	≥
Max. radial load, poor fastening	N
Max. axial load	N
Torsional stiffness	Nm/arcmin

Rated speed at drive	min <sup>-1</sup> ≤
Max. rated speed at drive	min <sup>-1</sup> ≤
Temperature range	C
Protection class	IP
Service life	h

0,140

12

18

3

3h6

17

12

0,012

30

15

25

50

40

0,26

4'000

6'000

-30° / +90°

44

~ 5000

Stock programme • [Standard programme](#) • [Special programme \(on request\)](#)