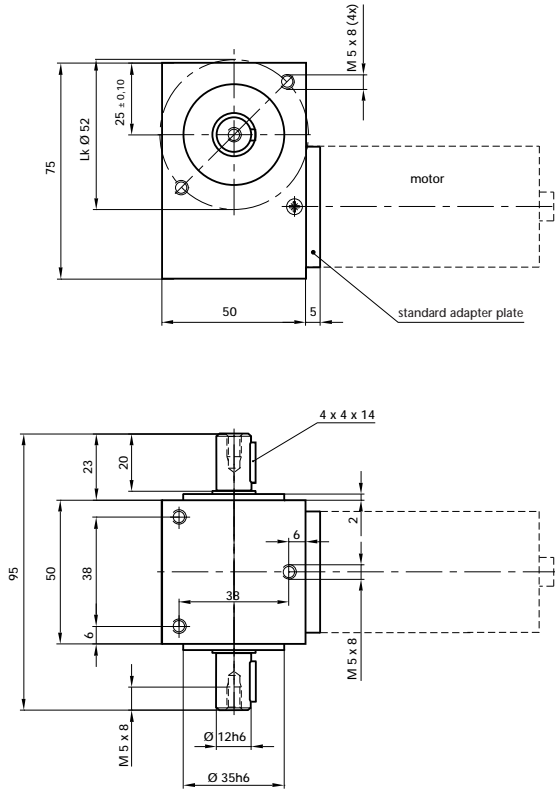


# GYSIN Worm Gearbox GSR 25

Rated torque in Nm (S1)	Type Standard	5
Rated torque in Nm (S5)	Type Standard	8
EMERGENCY STOP torque in Nm		10
Rated torque in Nm (S1)	Type R Reduced	5
Rated torque in Nm (S5)	Type R Reduced	8
EMERGENCY STOP torque in Nm		10



GSR 25	
Ratio (i)	Efficiency in %
5	85
7	80
10	75
15	65
20	60
25	55
30	50
40	45
50	40
60	40



## Technical and performance data:

Gear unit weight	kg	0,620
Dimension L min.	mm	16
Dimension L max.	mm	32
Dimension I	mm	5
Ø d standard mount	mm	6h6
Lk Ø max.	mm	32
Centre distance	mm	25
Average mass inertia at drive	kgcm <sup>2</sup>	0,060
No-load backlash Type Standard	arcmin ≤	30
No-load backlash Type R Reduced	arcmin ≤	15
Self-locking whenever step-down ratio	≥	25
Max. radial load, poor fastening	N	150
Max. axial load	N	200
Torsional stiffness	Nm/arcmin	1,3
Rated speed at drive	min <sup>-1</sup> ≤	4'000
Max. rated speed at drive	min <sup>-1</sup> ≤	6'000
Temperature range	C	-30° / +90°
Protection class	IP	44
Service life	h	~ 5000

Stock programme • [Standard programme](#) • [Special programme \(on request\)](#)