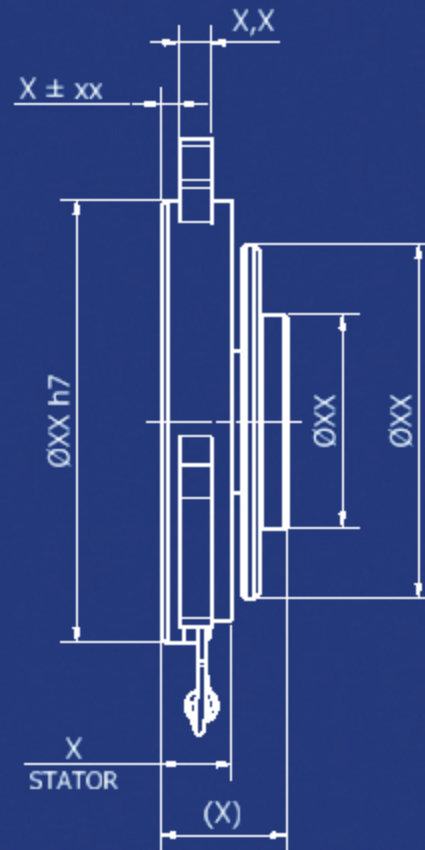
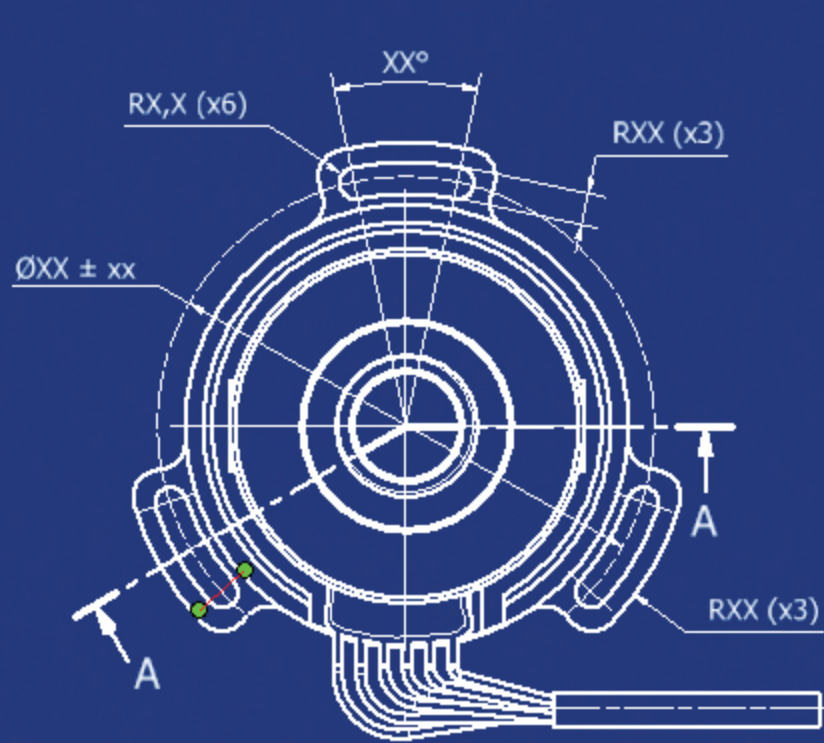


# TAILOR MADE ABSOLUTE MODULAR ENCODERS



- FULL CUSTOMIZATION FOR YOUR APPLICATION:
- \* CUSTOMER DRIVEN MECHANICAL DESIGN
  - \* WIDE RANGE OF POSSIBLE MATERIALS
  - \* RELIABLE ENGINEERING ASSISTANCE
  - \* COMPACT SIZE FOR LIMITED INSTALLATION SPACE
  - \* SIMPLE INSTALLATION
  - \* EXCELLENT DYNAMIC PERFORMANCE
  - \* WIDE OPERATING TOLERANCES
  - \* INTERFACE: BiSS\_C /SSI
  - \* RESOLUTION: Up to 29-bit (Depending on disc size)

